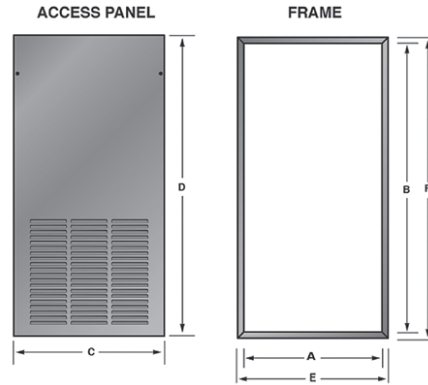


NOMENCLATURE

ACCESS PANEL DATA TABLES



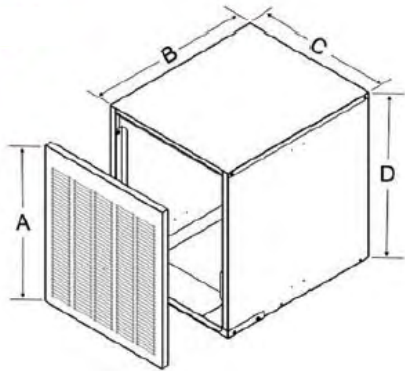
WAD ACCESS PANEL DATA (In. [mm])

PANEL MODEL	FOR USE WITH	FINISH	OPENING SIZE		PANEL DIMENSION		FRAME DIMENSION	
			A	B	C	D	E	F
WAD-4(S/L)	FTB	Embossed	21-1/8	39-7/8	22-3/4	41-1/2	22-5/8	41-3/8
WAD-5(S/L)	FWB	Embossed	21-1/8	44-3/8	22-3/4	46	22-5/8	45-7/8
WAD-6(S/L)	FWB-013	Embossed	21-1/8	50-3/8	22-3/4	52	22-5/8	51-7/8
WAD-7(S/L)	(G,A)(A,E)W 18/23/24 P(A,E)W 22/28/29 LEW 30B/30C/36A	Embossed	22-5/8	39-7/8	24-1/4	41-1/2	24-1/8	41-3/8
WAD-8(S/L)	(G,A)(A,E)W 30/36 P(A,E)W 32/33/34/38 LEW 30E/36C	Embossed	22-5/8	42-7/8	24-1/4	44-1/2	24-1/8	44-3/8
WAD-9(S/L)	(G,A)(B,F)W 18/24/30/36	Embossed	22-5/8	46-3/8	24-1/4	48	24-1/8	47-7/8
WAD-10(S/L)	(G,A)(B,F)W 18/24/30/36	Embossed	22-5/8	52-3/8	24-1/4	54	24-1/8	53-7/8
WAD-16(S/L)	(G,A)(B,F)W 18/24/30/36	Smooth	22-5/8	52-3/8	24-1/4	54	24-1/8	53-7/8
WAD-17(S/L)	(G,A)(B,F)W 18/24/30/36	Smooth	22-5/8	46-3/8	24-1/4	48	24-1/8	47-7/8
WAD-18(S/L)	(G,A)(A,E)W 18/23/24 P(A,E)W 22/28/29 LEW 30B/30C/36A	Smooth	22-5/8	39-7/8	24-1/4	41-1/2	24-1/8	41-3/8
WAD-19(S/L)	(G,A)(A,E)W 30/36 P(A,E)W 32/33/34/38 LEW 30E/36C	Smooth	22-5/8	42-7/8	24-1/4	44-1/2	24-1/8	44-3/8
WAD-20(S/L)	(G,A)(A,E)W 19/20/25/26 P(A,E)W 21/27 LEW 30A	Embossed	21-1/8	38-3/8	22-3/4	40	22-5/8	39-7/8
WAD-21(S/L)	(G,A)(A,E)W 31/37 P(A,E)W 29/35 LEW 30D/30F/36B/36D	Embossed	24-5/8	38-3/8	26-1/4	40	26-1/8	39-7/8
WAD-22(S/L)	(G,A)(A,E)W 19/20/25/26 P(A,E)W 21/27 LEW 30A	Smooth	21-1/8	38-3/8	22-3/4	40	22-5/8	39-7/8
WAD-23(S/L)	(G,A)(A,E)W 31/37 P(A,E)W 29/35 LEW 30D/30F/36B/36D	Smooth	24-5/8	38-3/8	26-1/4	40	26-1/8	39-7/8

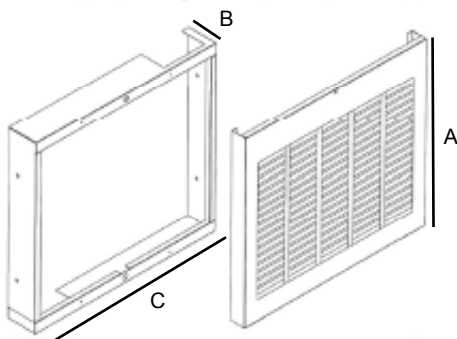
In keeping with its commitment to continuous improvement, Aspen Manufacturing reserves the right to make changes without notice and incurring obligation. To stay up-to-date with this product and Aspen's trusted line of coils, air handlers, and more, go to our website. ACCESSPANTABLE-NOMEN-2025-03

NOMENCLATURE

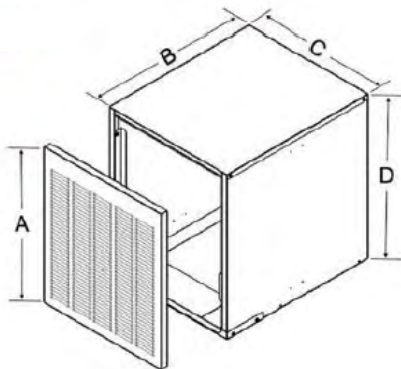
ACCESS PANEL DATA TABLES



MAD ACCESS PANEL DATA (In. [mm])					
WHERE USED	PANEL MODEL	OPENING SIZE		PANEL SIZE	
		A	B	C	D
AEN	MAD-01(L)	18	23-1/2	19-3/4	18
AEN	MAD-02(L)	24			24
AEN	MAD-03(L)	36			36



MAD ACCESS PANEL DATA (In. [mm])					
WHERE USED	PANEL MODEL	OPENING SIZE		PANEL SIZE	
		A	B	C	D
AEN	MAD-04(L)	24	3	19-3/4	24

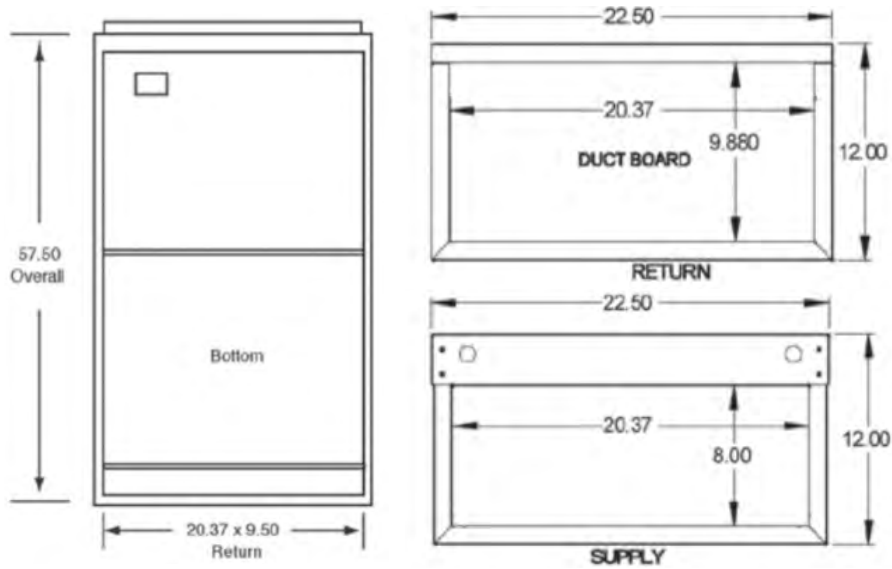


MAD ACCESS PANEL DATA (In. [mm])					
WHERE USED	PANEL MODEL	OPENING SIZE		PANEL SIZE	
		A	B	C	D
AEN	MAD-07	24	23-1/2	19-3/4	24
	MAD-08				
	MAD-09				

In keeping with its commitment to continuous improvement, Aspen Manufacturing reserves the right to make changes without notice and incurring obligation. To stay up-to-date with this product and Aspen's trusted line of coils, air handlers, and more, go to our website. ACCESSPANTABLE-NOMEN-2025-03

NOMENCLATURE

ACCESS PANEL DATA TABLES



CAD ACCESS PANEL DATA (In. [mm])

WHERE USED	MAD PANEL MODEL NUMBER	OPENING SIZE		PANEL SIZE		FRAME ASSY SIZE		# OF PANELS
		A	B	C	D	E	F	
AAC/AEC	CAD-4(S/L)	22-3/4	58	24-3/4	60	24-5/8	59-7/8	2

In keeping with its commitment to continuous improvement, Aspen Manufacturing reserves the right to make changes without notice and incurring obligation. To stay up-to-date with this product and Aspen's trusted line of coils, air handlers, and more, go to our website. ACCESSPANTABLE-NOMEN-2025-03